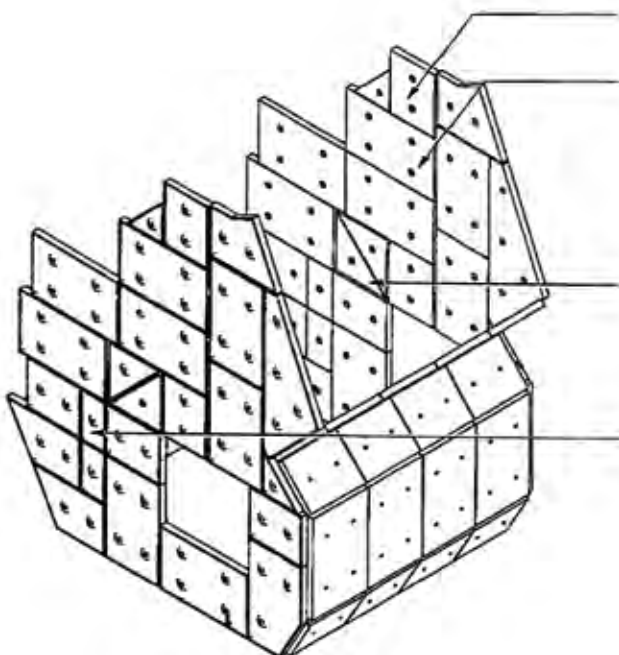
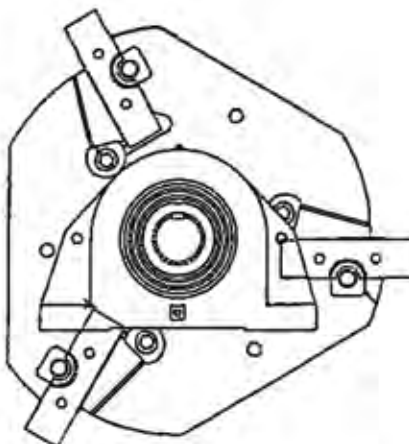
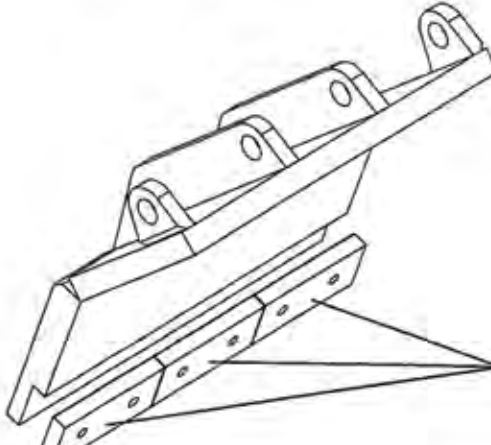




**SPOKANE
INDUSTRIES**

Kolberg Pioneer 4250

	Description	OEM	Spokane	# Needed	
	Side Liner	224969	A010066H	10	
	Side Liner	224902	A010067H	16	
	Side Liner	227673	A01006800	4	
	Side Liner	224972	A01006900	4	
	Blow Bar	161501 161502	A010040H A010040M A010040L	3 3 3	
		Impact Plate	184689	A010030L	3